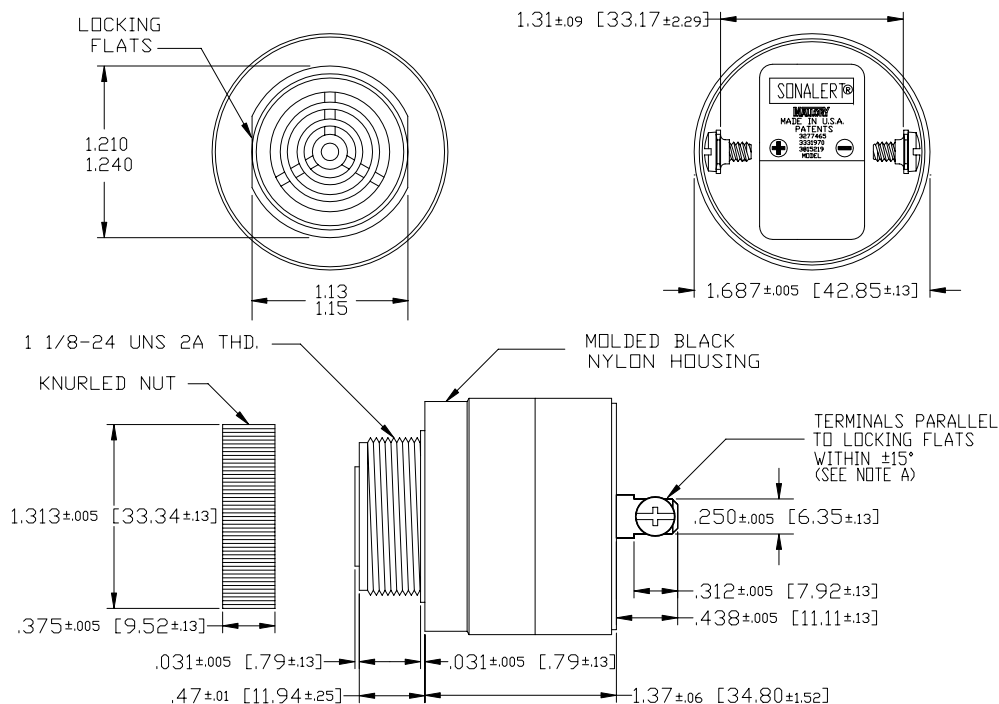


**Specifications:**

|                         |                                   |
|-------------------------|-----------------------------------|
| Sound level Category    | Low Sound Level                   |
| Mode of Operation       | Slow Pulse                        |
| Mounting                | Panel (see note B)                |
| Voltage Rating          | 6 to 28 Vdc                       |
| Frequency               | 2900 Hz ±500 Hz                   |
| Loudness (Min. Voltage) | 50 to 62 dB(A) @ 2 FT and 6 Vdc   |
| Loudness (Max Voltage)  | 65 to 78 dB(A) @ 2FT and 28 Vdc   |
| Current Draw            | 5 mA Max @ 6 Vdc                  |
| Current Draw            | 20 mA Max @ 28 Vdc                |
| Min Pulse Rate (PPS)    | 0.5 @ 6 Vdc                       |
| Max Pulse Rate (PPS)    | 2.0 @ 28 Vdc                      |
| Duty Cycle (%)          | 50 (Approx)                       |
| Storage Temperature     | -40°C to +85°C                    |
| Operating Temperature   | -30°C to +65°C                    |
| Weight (Typical)        | 2.1 oz (59 g)                     |
| Housing                 | 6/6 Nylon, Color Black            |
| Options                 | For other options contact factory |

**Dimensions:** Inches (mm)



NOTE A: TERMINALS-.032 BRASS TIN PLATED, TAPPED FOR #6-32 SCREW. TWO #6-32 NICKEL PLATED BRASS SCREWS INCLUDED. WILL ACCEPT 1/4" QUICK CONNECT.

NOTE B: MOUNTING- REMOVE BLACK PLASTIC NUT AND INSERT THREADED FRONT THROUGH 1.25" HOLE PUNCHED IN PANEL, IF ORIENTATION IS NEEDED, NOTE LOCKING FLATS ON DRAWING. SCREW NUT BACK ON. DO NOT OVERTIGHTEN.